

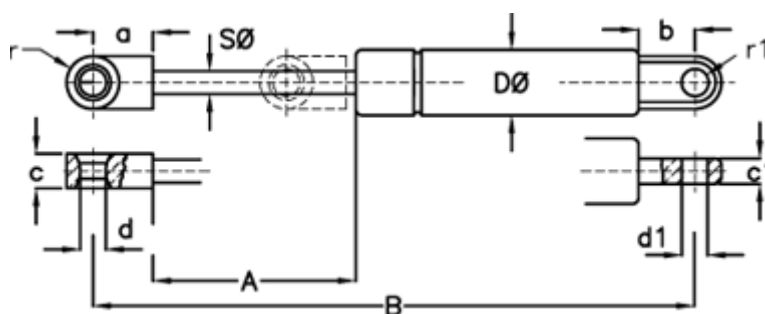
# Data Sheet



Article number: 042071LB

Description: Stabilus Lift-O-Mat Gas Spring 2071LB 1700N  
03 14 400 1700 Eyelet/Eyelet

## Measures



A	= 400	D <sup>-</sup>	= 28
a	= 24	Fixing	= Øje/Øje
B	= 902 +/-2	Material	= Metal
b	= 15	Note	= -
c	= 18	Note	= -
c1	= 8	r	= 9
d1 <sup>-</sup>	= 10,1 +0,1 -0,2	r1	= 8
d <sup>-</sup>	= 10,1 +0,1	S <sup>-</sup>	= 14